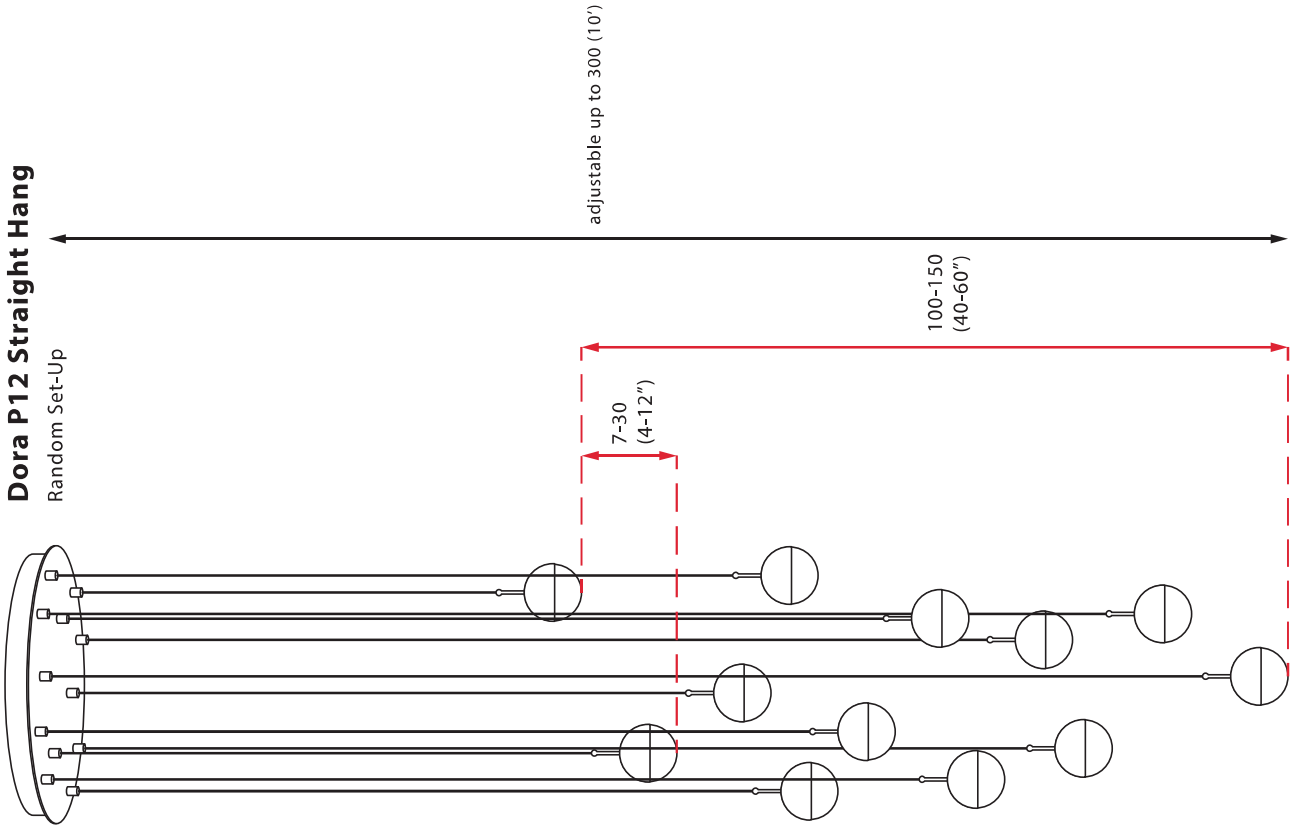
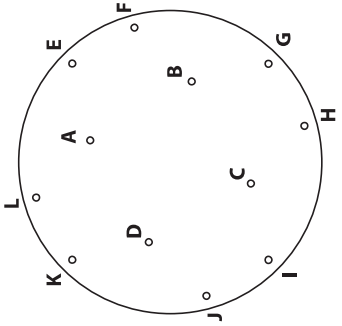


## Dora P12 Straight Hang

Random Set-Up



## Canopy (Bottom View)



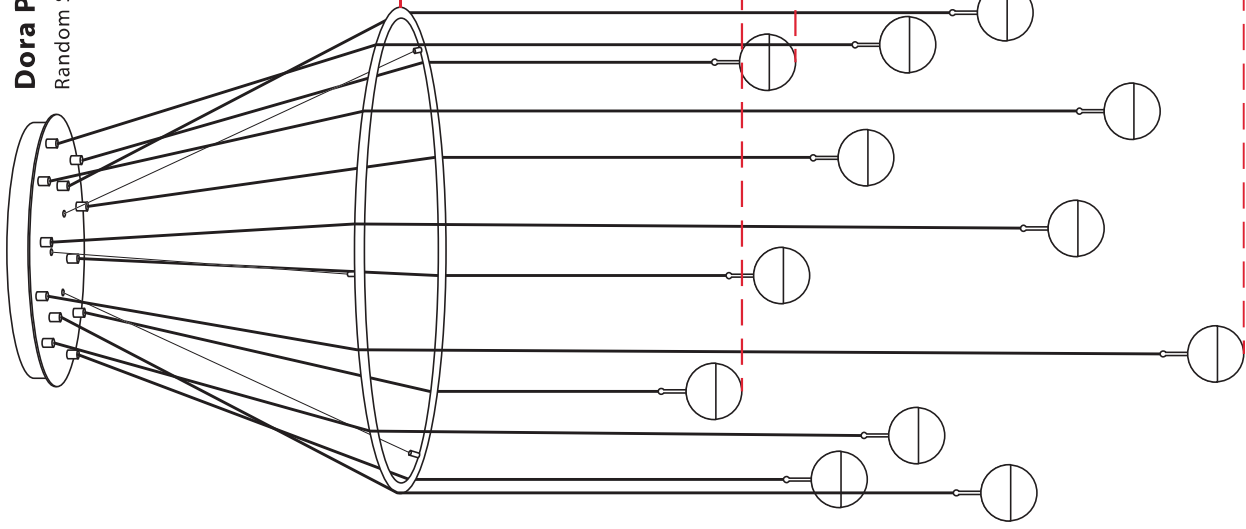
Long pendants hang around w/ central outlets ( A,B,C,D )

Short pendants hang around w/ peripheral outlets ( E,F,G,H,I,J,K,L )

\* Above hanging schematics is for reference only. Some variance may occur due to individual settings and scenarios.

### Dora PC12 With Ring

Random Set-Up



50-100  
(16-40")

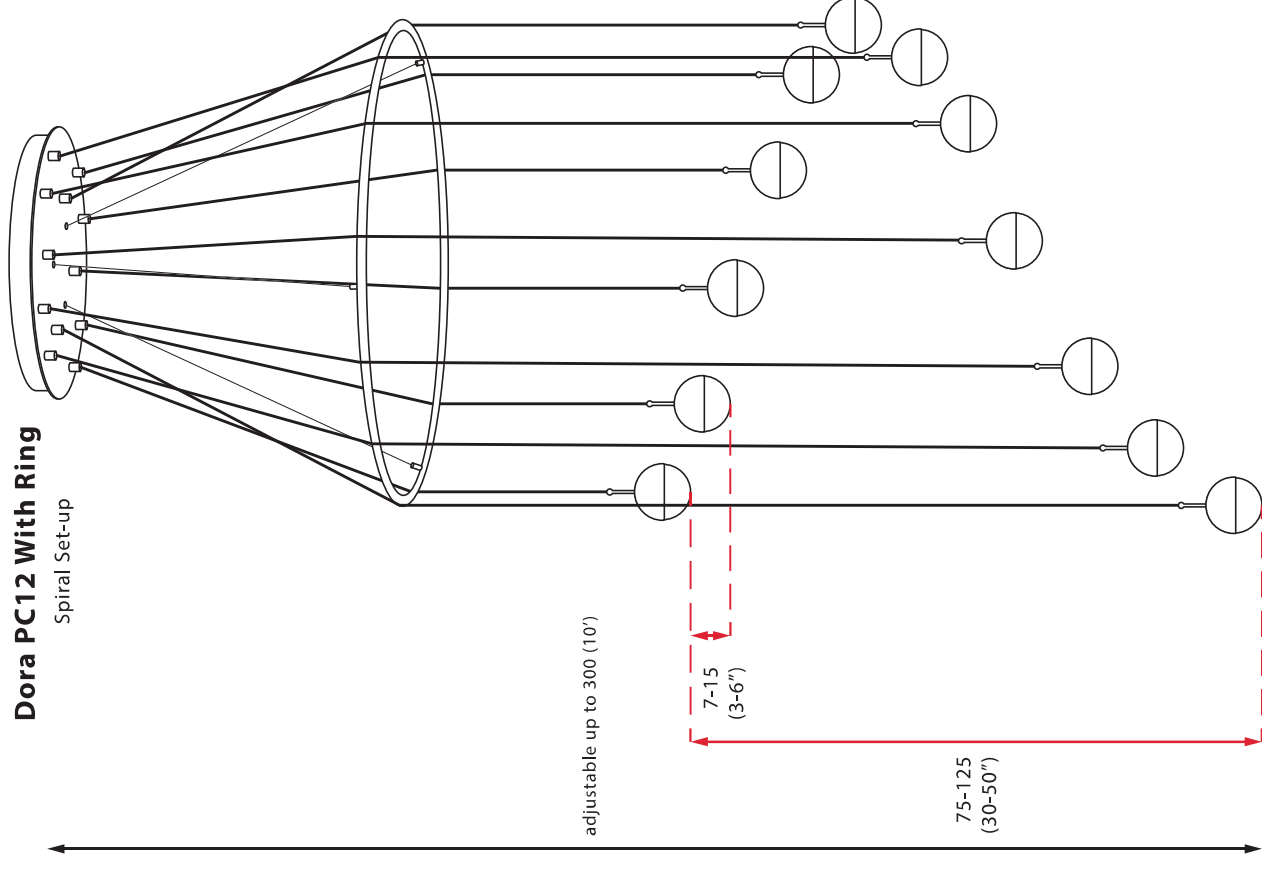
30-100  
(16-40")

75-125  
(30-50")

adjustable up to 300 (10')

### Dora PC12 With Ring

Spiral Set-up



adjustable up to 300 (10')

75-125  
(30-50")

\* Above hanging schematics is for reference only.  
Some variance may occur due to individual settings and scenarios.